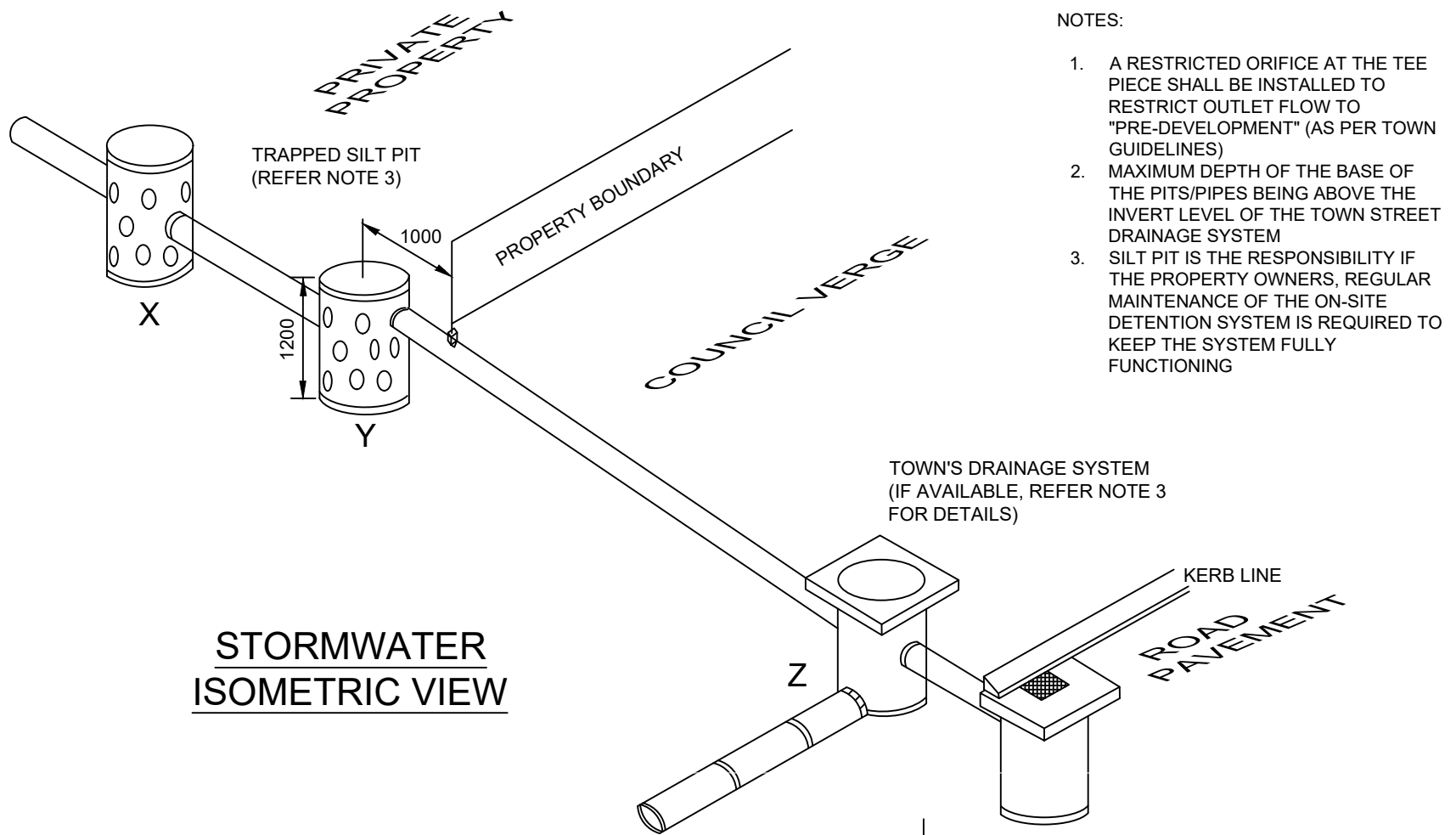
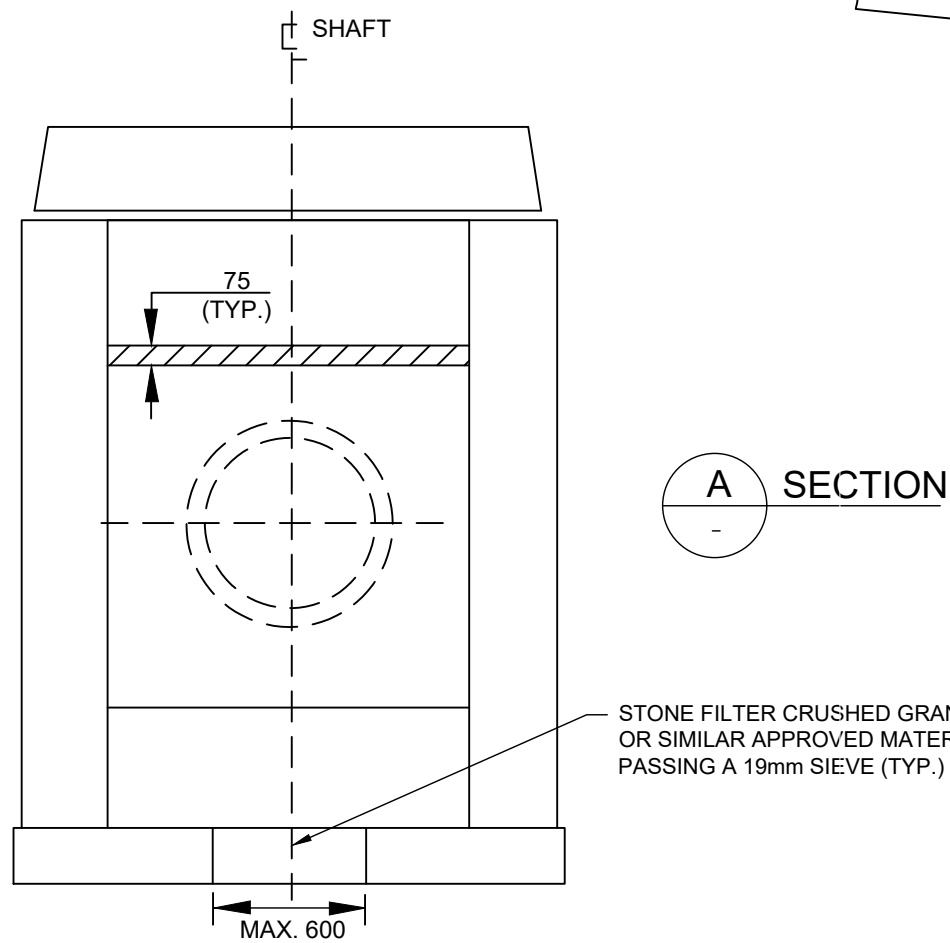
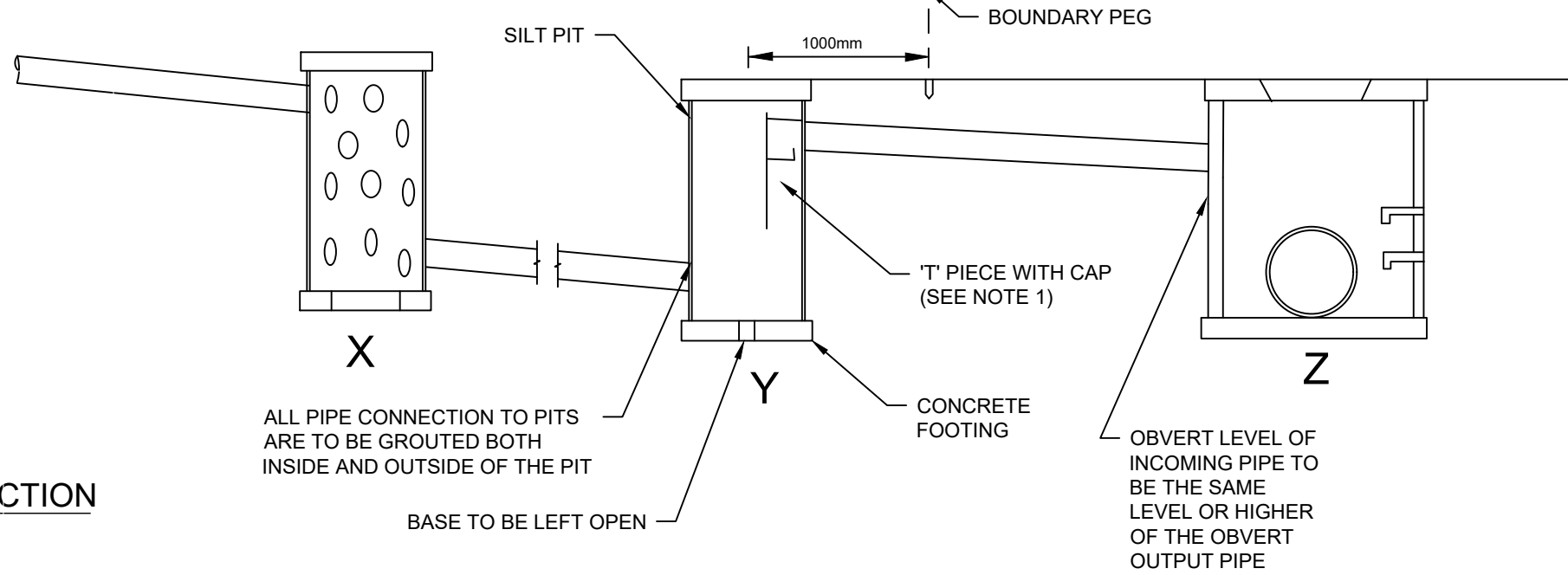


TABLE 1	
INLET PIPE DIAMETER	'L' (mm)
300	750
375	825
450	900
525	1050
600	1200



- NOTES:
1. A RESTRICTED ORIFICE AT THE TEE PIECE SHALL BE INSTALLED TO RESTRICT OUTLET FLOW TO "PRE-DEVELOPMENT" (AS PER TOWN GUIDELINES)
  2. MAXIMUM DEPTH OF THE BASE OF THE PITS/PIPES BEING ABOVE THE INVERT LEVEL OF THE TOWN STREET DRAINAGE SYSTEM
  3. SILT PIT IS THE RESPONSIBILITY IF THE PROPERTY OWNERS, REGULAR MAINTENANCE OF THE ON-SITE DETENTION SYSTEM IS REQUIRED TO KEEP THE SYSTEM FULLY FUNCTIONING



<p>Town of Port Hedland</p> <p>PO Box 41 Port Hedland WA 6721 WA Australia T 61 8 9158 9300 F 61 8 9158 9399 E council@porthedland.wa.gov.au W www.porthedland.gwa.gov.au</p>	<p><b>STORMWATER CONNECTION FROM PRIVATE PROPERTY TO TOPH DRAIN</b></p>	
	<p>SCALE: N.T.S</p>	<p>DRAWN: SARIK SALIM</p>
<p><b>DRAWING NO: TOPH-1.0</b></p>		<p><b>Rev: 0</b></p>